



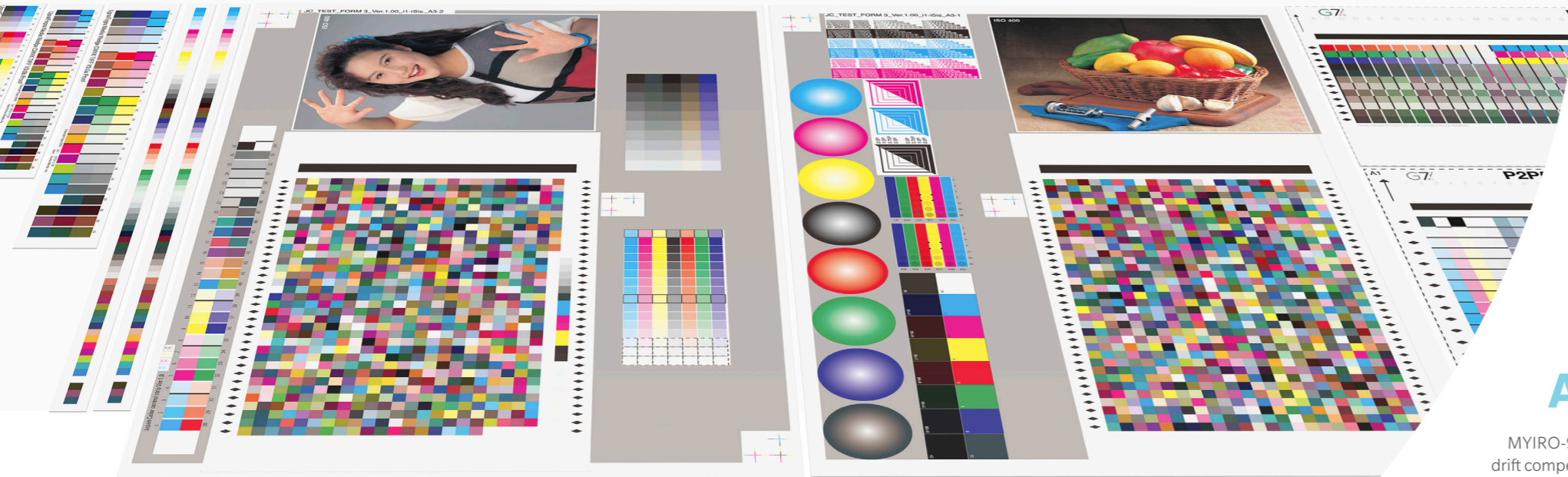
MYIRO

Ultra-high-speed chart measurements
for calibration, profiling, and quality control.



Innovative, user-friendly & accurate

MYIRO-9



Fast

MYIRO-9 can read 1,500 patches in about 4 minutes and 2,500 patches in only about 7 minutes. Plus, a single scan can provide data for M0, M1 and M2, conforming to ISO13655:2009 and offering improved certainty of colors and OBA.

Optional Auto Sheet Feeder for automatic reading of large numbers of sheets

Users who need to measure dozens of sheets every day can benefit from using the optional Auto Sheet Feeder. This optional accessory enables up to 100 sheets to be preloaded and measured with minimal user input. When used with the QR code reader function, the measurement results can be automatically linked to the printed sheet, so even multi-page charts can be handled easily and automatically.



Versatile

Free-format function

The free-format function of the MYIRO-9 enables it to measure virtually every chart that might be used to calibrate printers and create profiles. Even quality control wedges, used for conformance testing of proof prints, etc., can be measured with the MYIRO-9 without cutting them from the print. Color unevenness of the printed surface can be evaluated up to the edge of the paper.

Virtual Fluorescent Standard

MYIRO-9's Virtual Fluorescent Standard (VFS) allows the creation of precision custom profiles to compensate for the environment where the print will be viewed, so users can obtain amazing results and achieve the best possible neutral grey balance and flawless skintones in even non-standard viewing environments.

USB and Ethernet connections

MYIRO-9 has both USB and Ethernet connections, so one MYIRO-9 can be easily shared among multiple PCs and multiple printing machines.

Accurate

MYIRO-9's built-in wavelength calibration and temperature drift compensation maximize day-to-day accuracy and reliability.

Worldwide standardized service for repair, certification and adjustments to absolute accuracy lets users offer their customers true local or global consistency.

Users who want to monitor and audit the absolute accuracy of the system on a regular basis will benefit from the MYIRO-9's self-check function, which uses certified tiles specifically designed for MYIRO-9 to monitor the accuracy at any time

Color tiles (Order-made)



Detailed specifications of MYIRO-9 are available on MYIRO's website.
<https://www.myiro.com/MYIRO-9>



Main Specifications of MYIRO-9

Illumination/viewing system	45°a: 0°(annular illumination)*1 Conforms to CIE No. 15, ISO 7724/1, DIN5033 Teil 7, ASTM E 1164, and JIS Z 8722 Condition a for reflectance measurements.	
Wavelength range	380 to 730 nm	
Wavelength pitch	10 nm	
Half bandwidth	Approx. 10 nm	
Measurement area	Approx. ø3 mm	
Light source	LED	
Measurement range	Spectral reflectance: 0 to 150%	
Repeatability	Colorimetric: Within $\sigma\Delta E00$ 0.05 (When white plate is measured 30 times at 10-second intervals after white calibration has been performed)	
Inter-instrument agreement	Within $\Delta E00$ 0.3 (Average for 12 BCRA Series II color tiles compared to values measured with a master body)	
Measurement time	Approx. 4 min per 1,500 patches (* Manufacturer's standard conditions*3)	
Measurement conditions*2	M0 (A), M1 (D50), M2 (A + UV-cut filter), C, ID50, D65, ID65, F2, F6, F7, F8, F9, F10, F11, F12, User-defined illuminant	
Interface	USB2.0, 100Base-TX	
Size (W × D × H)	MYIRO-9 only : 716 x 251 x 159 mm Auto Sheet Feeder : 601 x 1,158 (when tray is open) x 245 mm MYIRO-9 mounted on Auto Sheet Feeder : 716 x 1,158 x 256 mm	

Measurable Chart Specifications *4

Width	45 to 330 mm (When using the Auto Sheet Feeder: 90 to 320 mm)	
Length	170 to 1,500 mm (When using the Auto Sheet Feeder: 170 to 450 mm)	
Thickness	0.05 to 0.6 mm (When using the Auto Sheet Feeder: 0.08 to 0.25 mm)	
Smallest patch size	6×6 mm	
Maximum patches per sheet	1,394 (A4) 2,928 (A3)	
Margins (minimum)	Leading: 23 mm; Trailing: 33 mm; Left/right sides: 4 mm each	

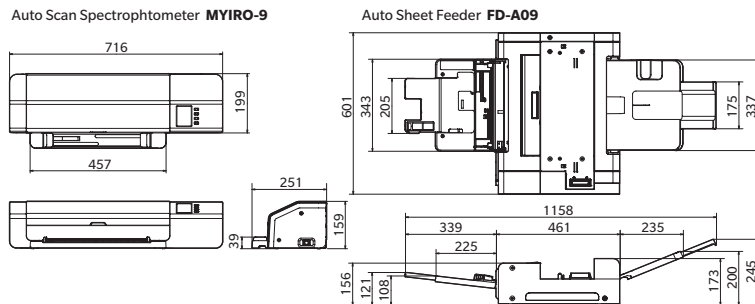
*1 Illumination for wavelengths under 400 nm is unidirectional.

*2 M0, M1 and M2 are lighting conditions contained in ISO 13655 4.2.2 Illumination requirements and measurement conditions.

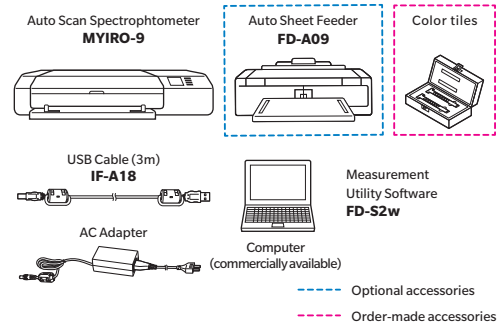
*3 Chart size: A3, Patch size: 6 x 6 mm, Patch layout: 32 rows x 47 columns

*4 Even if paper size is within the ranges specified, some charts may not be measured.

Dimensions



System Diagram



SAFETY PRECAUTIONS



For correct use and for your safety, be sure to read the instruction manual before using the instrument.

- Always connect the instrument to the specified power supply voltage. Improper connection may cause a fire or electric shock.

- Displays shown are for illustration purpose only.
- The specifications and drawings given here are subject to change without prior notice.

For additional information, please visit:
<https://www.myiro.com>

- Sales contact: